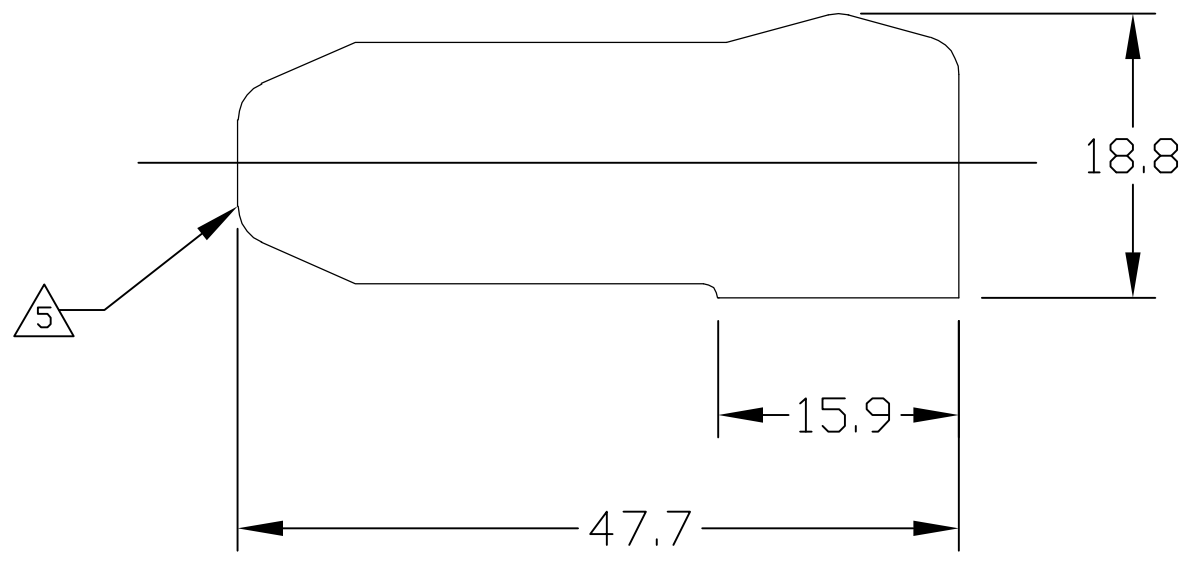
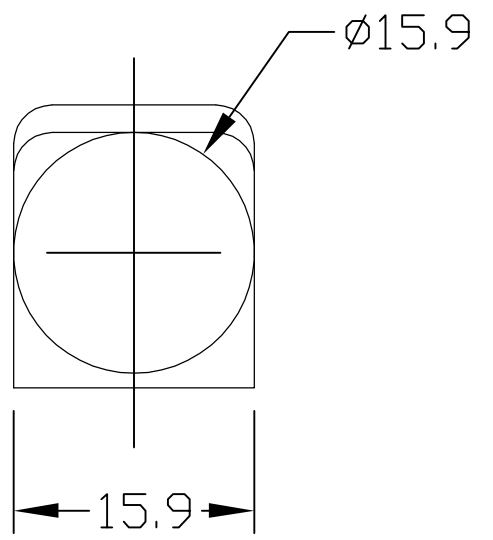


THIS DRAWING IS UNPUBLISHED. RELEASED FOR PUBLICATION
 © COPYRIGHT BY TYCO ELECTRONICS CORPORATION. ALL RIGHTS RESERVED.

LOC	DIST	REVISIONS					
GP	00	P	LTR	DESCRIPTION	DATE	DWN	APVD
			C	REV PER ECO-06-006253	16MAR06	RG	MP



- 5 CABLE ENTRY OF BOOT IS MOULDED SOLID AND CROPPED TO SUIT CABLE USED BY CUSTOMER.
- 4. MATERIAL: ALL COLORS TO BE FIRE RETARDANT GRADE PVC 55 SHORE A, RATED TO UL94V-0. COLORS: SEE TABLE
- 3. FINISH: GLOSSY, CLEAN WITH NO INTERNAL & EXTERNAL BURRS.
- 2. ITEMS PROVIDED TO THIS SPECIFICATION SHALL BE IDENTIFIED ON THE CONTAINER WITH THE FOLLOWING INFORMATION: PART NUMBER & DATE CODE OF MANUFACTURE.
- 1. PART NUMBER CHANGES AND OR DESIGN CHANGES AFFECTING ITEM INTERCHANGEABILITY REQUIRE PRIOR TYCO APPROVAL AND AUTHORIZATION BY REVISION TO THIS DRAWING.

1651003-4	BLUE
1651003-3	GREY
1651003-2	RED
1651003-1	BLACK
TYCO PN	COLOR

THIS DRAWING IS A CONTROLLED DOCUMENT.		DWN	28AUG00		Tyco Electronics Corporation Harrisburg, PA 17105-3608	
		CHK	NGUYEN/GRZYBOWSKI			
DIMENSIONS: mm		TOLERANCES UNLESS OTHERWISE SPECIFIED:		APVD	25FEB05	
		0 PLC ± -		NAME		
		1 PLC ± .50		D.CHAU		
		2 PLC ± .25		PRODUCT SPEC		
		3 PLC ± -		APPLICATION SPEC		
		4 PLC ± -		SIZE		
		ANGLES ± .5		CAGE CODE		
MATERIAL		FINISH		DRAWING NO		
				A3 00779 C-1651003		
				RESTRICTED TO		
				CUSTOMER DRAWING		
				SCALE 1:1		
				SHEET 1 OF 1		
				REV C		

ELCON RAPID LOCK